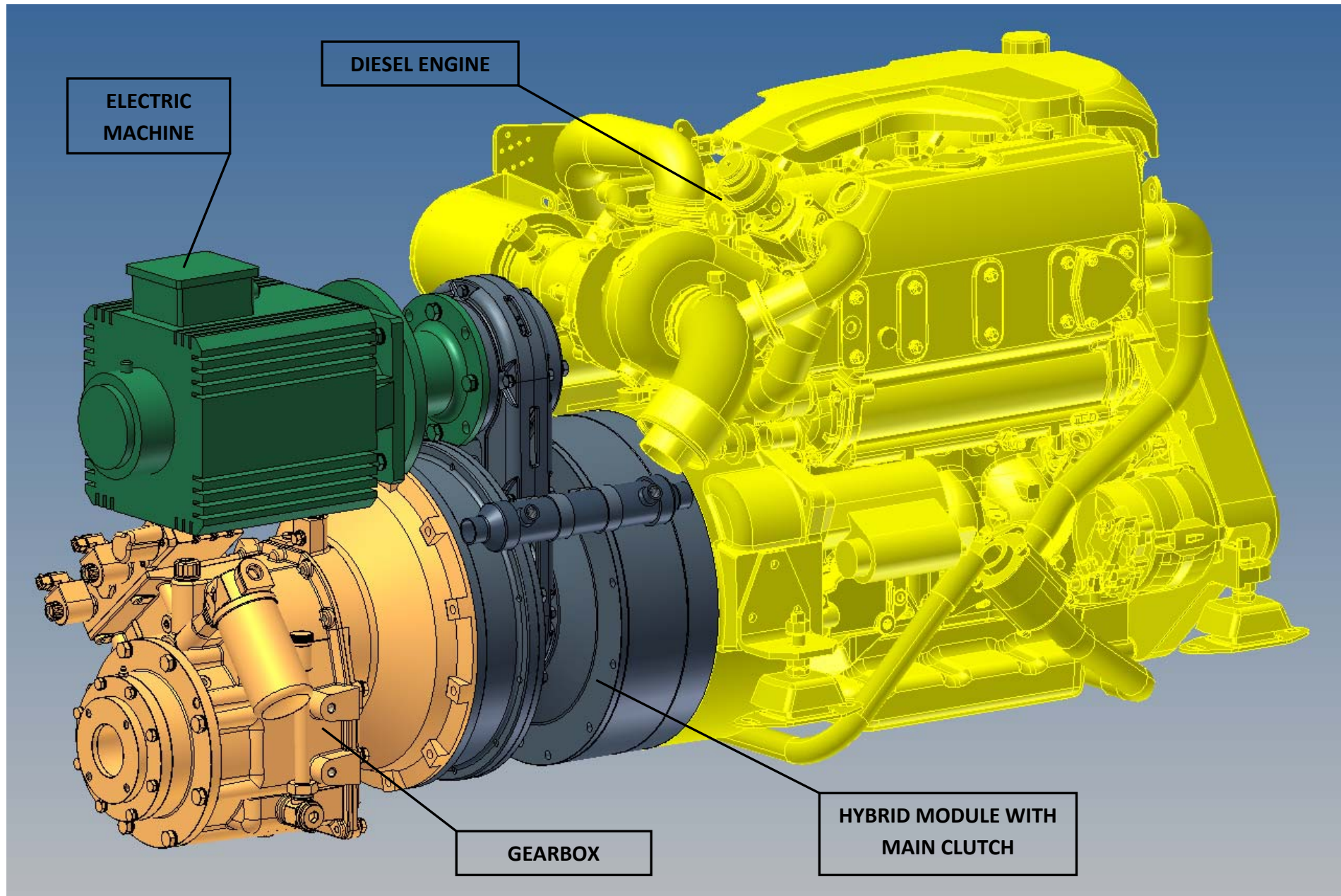


DIESEL ENGINE

ELECTRIC  
MACHINE

HYBRID MODULE WITH  
MAIN CLUTCH

GEARBOX

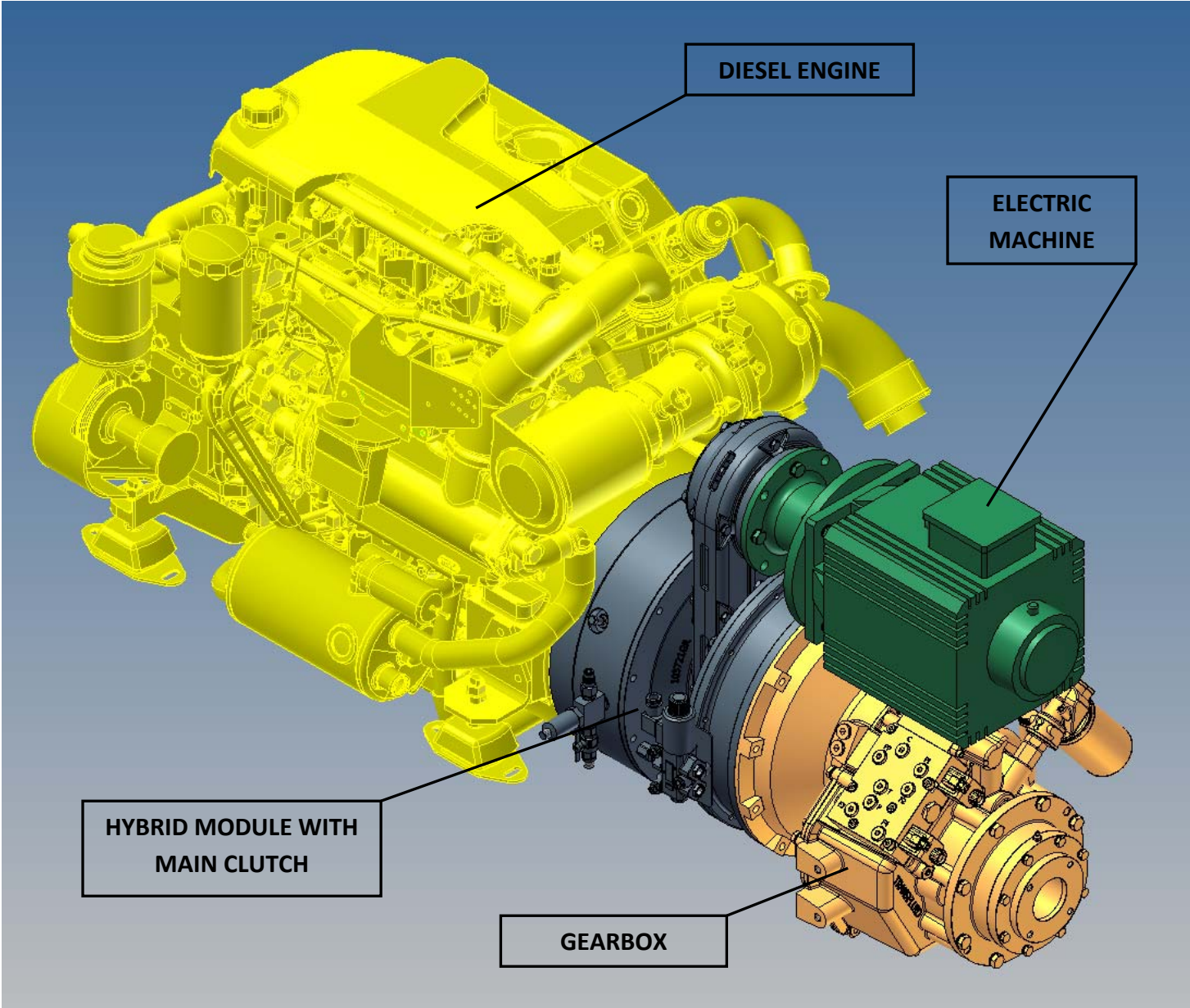


**DIESEL ENGINE**

**ELECTRIC MACHINE**

**GEARBOX**

**HYBRID MODULE WITH MAIN CLUTCH**



DIESEL ENGINE

ELECTRIC MACHINE

HYBRID MODULE WITH MAIN CLUTCH

GEARBOX

